

# DOSING PUMPS

EDS Series - 1.5, 3, 6, 10, 21 LPH



## SALIENT FEATURES

- ★ Compact and good aesthetics
- ★ Double Ball NRV
- ★ Built in Air release valve
- ★ Solid PTFE diaphragm for longer life
- ★ Time tested electronics for reliable performance
- ★ Adjustable Stroke frequency

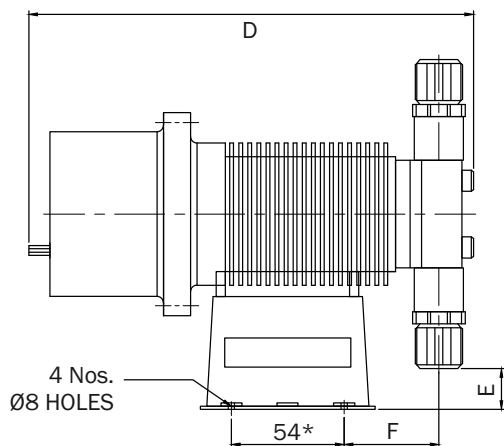
## TECHNICAL SPECIFICATIONS

Power Supply	230 V AC 50hz
Liquid End	Glass filled Polypropylene
Valve Ball	Pyrex
Seals	Viton
Diaphragm	Solid PTFE diaphragm
Suction / Delivery Tubing	4/6 mm LDPE tubing( 3metres length)
Stroke Frequency	400 stokes per minute Maximum

## MODEL SELECTION CHART

Model	Capacity	Max. Injection Pressure
EDS 1.5	1.5 lph	4 Kg/cm <sup>2</sup>
EDS 3	3 lph	4 Kg/cm <sup>2</sup>
EDS 6	6 lph	4 Kg/cm <sup>2</sup>
EDS 10	10 lph	4 Kg/cm <sup>2</sup>
EDSA	21 lph	Open to Atmosphere

## DIMENSIONS



A	94.5
B	160
C	201
D	180
E	28
F	78

### INJECTION CHECK VALVE



The injection check valve is a spring loaded non-return valve which prevents the water in the pressurized pipeline from returning back.

### FOOT VALVE



The foot valve is a non-return valve with a strainer to ensure that any dirt particles in the chemical being dosed is filtered before entering the pump.

\* Optional valve seats in Teflon and balls in ceramic also supplied on request