

INSTALLATION

- 1 The multiport valve is a side mounted valve to be installed on a vessel with top and bottom openings.
- 2 The multiport valve must be supported to the vessel at a height of around 1 meter for convenient operation of the valve (using the boss with M6 insert).
- 3 Ensure that the inlet and outlet piping are well supported and not transferring stress on to the MPV.
- 4 Make the Inlet, Outlet and Drain Connections.
- 5 Connect the Brine Suction Valve line to the Ejector using a 3/4" valve.

OPERATION

- 1 Always press the handle down before turning the handle to the desired position, viz. Service, Regeneration or Rinse.
- 2 If the line pressure is more, it is advisable to close the inlet valve before turning handle.
- 3 Ensure that minimum 2kg/cm² pressure is available for getting optimum ejector performance.
- 4 If there is a suction problem even at 2kg/cm² then the ejector may be clogged with dirt etc. For cleaning this, remove the ejector by unscrewing it from the MPV, clean and put back.



INITIATIVE ENGINEERING
An ISO 9001-2008 Organization

Sr. No. 273, Near Vitthal Mandir, Bhatewara Nagar,
Hinjawadi, Pune - 411 057, Maharashtra (India)
Tel.:+91 20 2293 2122, +91 20 2293 2123
E-MAIL:info@initiativeengineering.com
www.initiativeengineering.com

MULTIPORT VALVE S1240FF

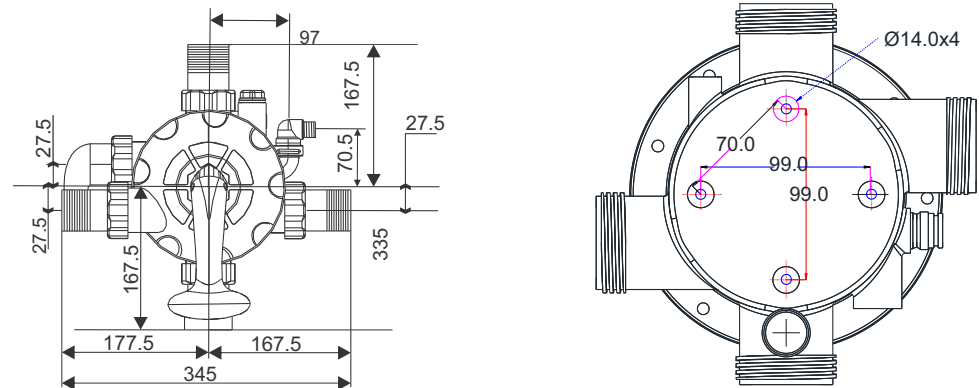
SPECIFICATIONS

- | | |
|---|--|
| 1. Inlet/Outlet/Vessel Top/Bottom connections | : 1.5" BSP |
| 2. Valve Mounting | : Side Mount (Front Facing) |
| 3. Flow Rate | : 12m ³ /hr @0.35kg/cm ² |
| 4. Max. Operating Pressure | : 5kg/cm ² |
| 5. Ejector Suction at 2kg/cm ² | : 750Lph |
| 6. Ejector Ratio | : 1:1 |
| 7. Brine Line | : 3/4" BSP |

SCOPE OF SUPPLY

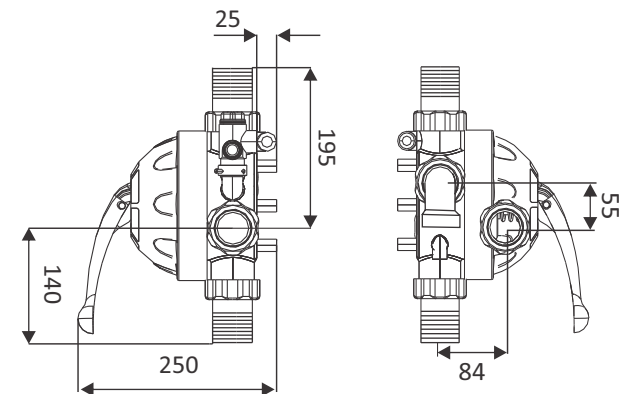
1. Multiport valve
2. O & M Manual

GENERAL ASSEMBLY

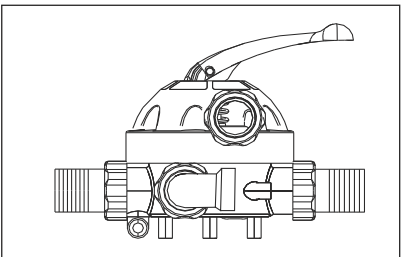
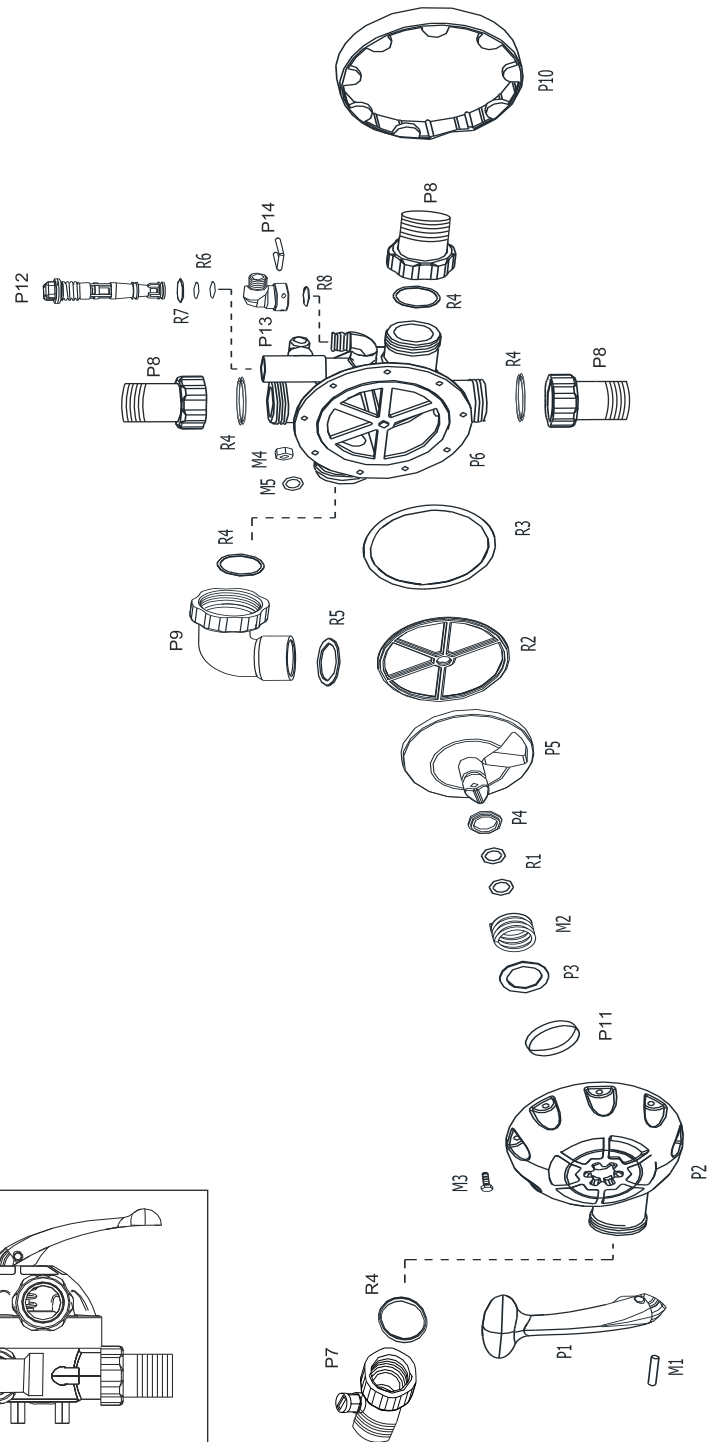


FRONT VIEW

BOTTOM VIEW



SIDE VIEW



SR.NO.	DESCRIPTION	PART NO
1.	Handle	P1
2.	Upper Housing	P2
3.	Spring washer	P3
4.	Disc Washer	P4
5.	Disc	P5
6.	Lower Housing	P6
7.	Inlet Union Asembly	P7
8.	Outlet Union Asembly	P8
9.	Drain Elbow Assembly	P9
10.	Band	P10
11.	Upper Housing bush	P11
12.	Ejector	P12
13.	Suction Elbow	P13
14.	U Pin	P14
15.	Handle Pin (8mm)	M1
16.	Spring	M2
17.	Bolt (M6X28)	M3
18.	Nut (M6)	M4
19.	Split Washer (M6)	M5
20.	Disc 'O' ring (18.5X3.6)	R1
21.	Star washer	R2
22.	Lower Housing Flange 'O' Ring (139x4.70)	R3
23.	Union 'O' ring (Ø44X3)	R4
24.	Drain Elbow Washer (Ø38xØ45x2.5)	R5
25.	Ejector 'O' Ring (Ø16x2.62)	R6
26.	Ejector Knob Oval Ring (Ø21x28x2.5)	R7
27.	Suction Nozzle 'O' Ring (Ø13.2x2.2)	R8