

INSTALLATION

- 1 The multiport valve is a side mounted valve to be installed on a vessel with top and bottom openings.
- 2 The multiport valve must be supported to the vessel at a height of around 1 meter for convenient operation of the valve using the boss with M6 insert.
- 3 Ensure that the inlet and outlet piping are well supported and not transferring stress on to the MPV.
- 4 Make the Inlet, Outlet and Drain connections.

OPERATION

- 1 Always press the handle down before turning the handle to the desired position viz. Service, Backwash or Rinse.
- 2 If the pressure is more, it is advisable to close the inlet valve before turning handle.



An ISO 9001-2008 Organization

Sr. No. 273, Near Vitthal Mandir, Bhatewara Nagar,
Hinjawadi, Pune - 411 057, Maharashtra (India)
Tel.:+91 20 2293 2122, +91 20 2293 2123
E-MAIL:info@initiativeengineering.com
www.initiativeengineering.com

MULTIPORT VALVE F1240FF

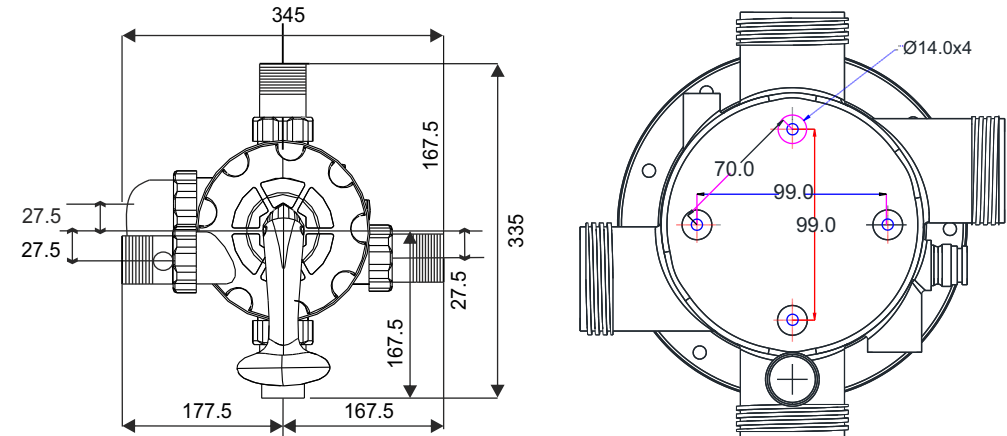
SPECIFICATIONS

- | | |
|-----------------------------------|---|
| 1. Inlet/Outlet/Drain connections | : 1.5" BSP |
| 2. Valve Mounting | : Side Mount (Front facing) |
| 3. Flow Rate | : 12m ³ /hr @0.35kg/ cm ² |
| 4. Max. Operating Pressure | : 5kg/ cm ² |

SCOPE OF SUPPLY

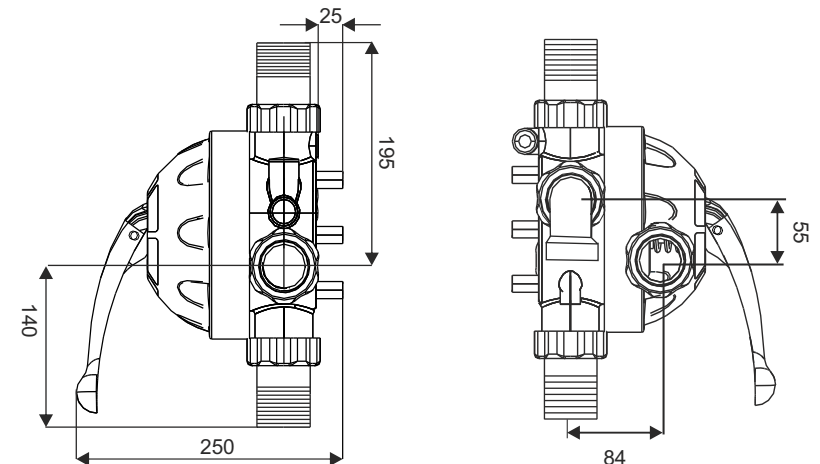
1. Multiport valve
2. O & M Manual

GENERAL ASSEMBLY



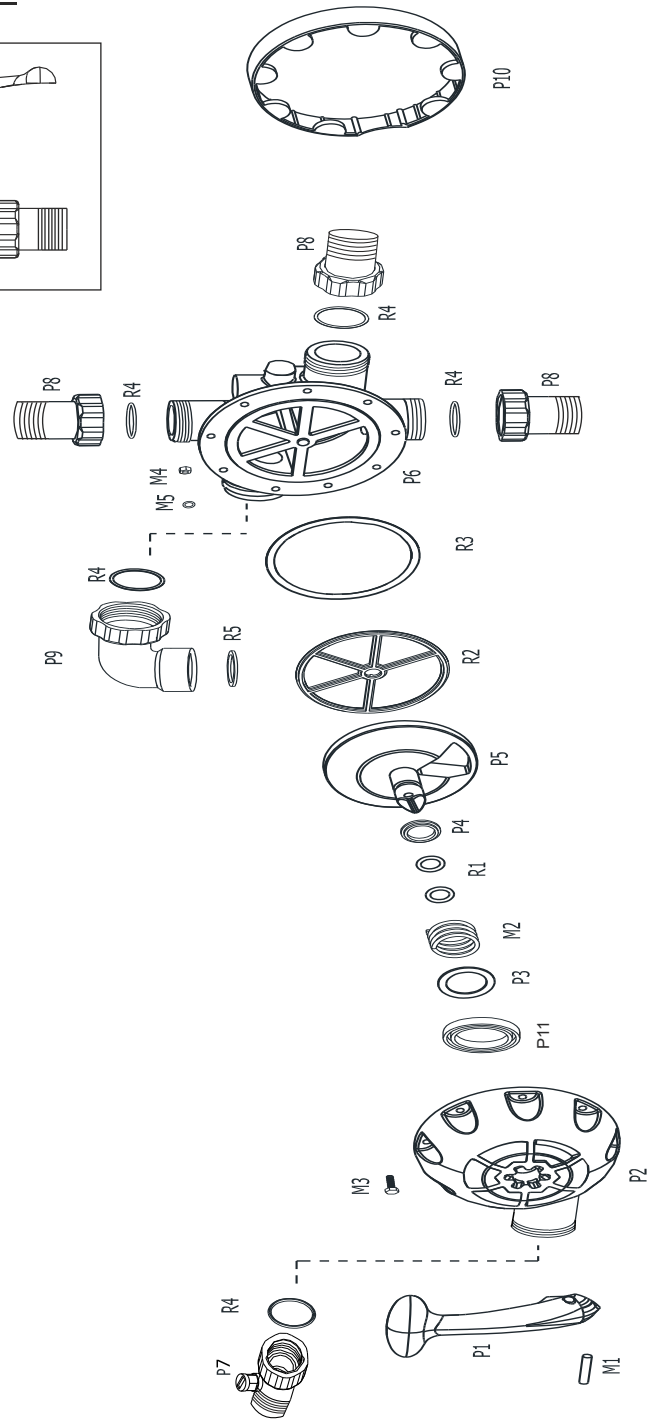
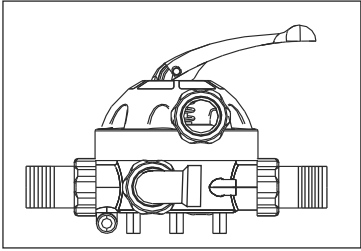
FRONT VIEW

BOTTOM VIEW



SIDE VIEW

EXPLODED VIEW



PARTS LIST

SR.NO.	DESCRIPTION	PART NO
1.	Handle	P1
2.	Upper Housing	P2
3.	Spring Washer	P3
4.	Disc Washer	P4
5.	Disc	P5
6.	Lower Housing	P6
7.	Inlet Union Assembly	P7
8.	Outlet Union Assembly	P8
9.	Drain Elbow Assembly	P9
10.	Band	P10
11.	Upper Housing Bush	P11
12.	Handle Pin (8MM)	M1
13.	Spring	M2
14.	Bolt (M6X28)	M3
15.	Nut (M6)	M4
16.	Split Washer (M6)	M5
17.	Disc 'O' Ring (18.5X3.6)	R1
18.	Star Washer	R2
19.	Lower Housing Flange 'O' Ring (139X4.7)	R3
20.	Union 'O' Ring (44X3)	R4
21.	Drain Elbow Assembly washer (38x45x2.5)	R5