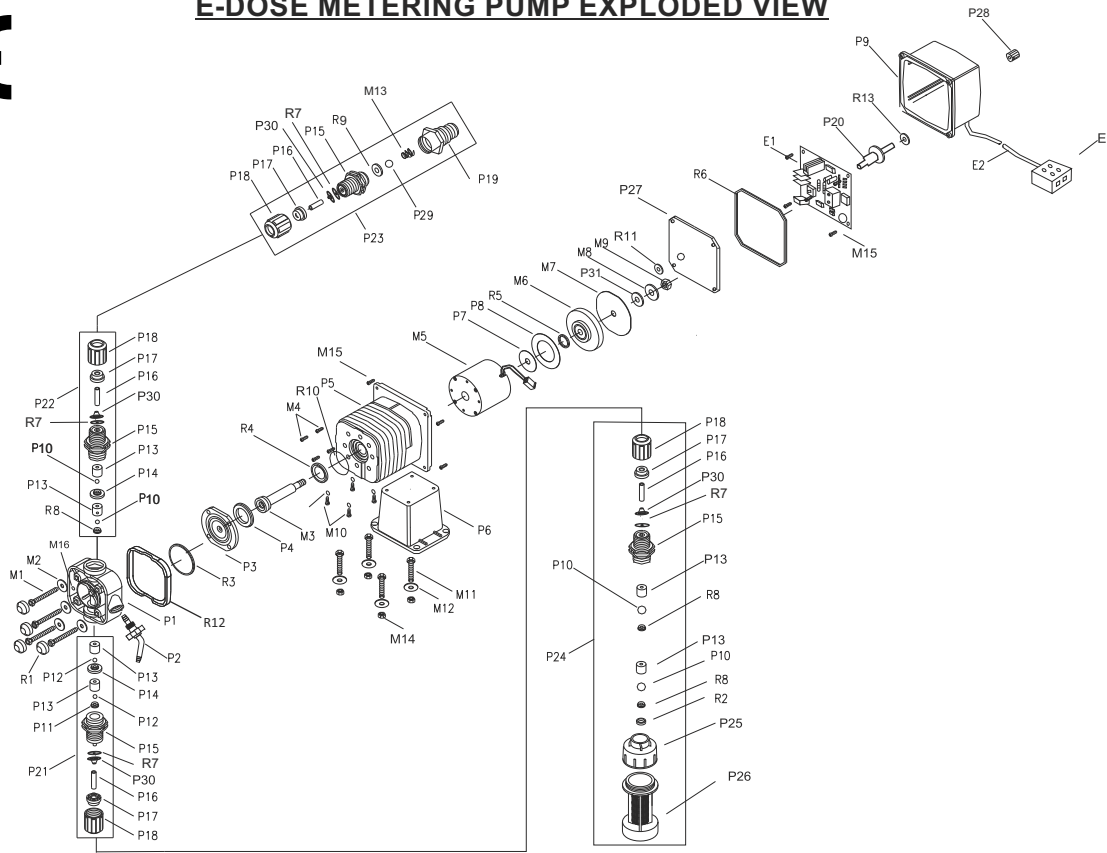




E-DOSE METERING PUMP EXPLODED VIEW



(All details shown in the manual are subject to change WITH/WITHOUT NOTICE)

PART LIST

S. NO.	PART NO.	DESCRIPTION
1	P1	DOSING HEAD.
2	P2	AIR RELEASE VALVE.
3	P3	DIAPHRAGM.
4	P4	DIAPHRAGM SPACER.
5	P5	SOLENOID HOUSING.
6	P6	MOUNTING BRACKET.
7	P7	PVC WASHER.
8	P8	PVC RING.
9	P9	PCB HOUSING.
10	P10	NRV BALL GLASS (6MM)[DISCHARGE VALVE].
11	P11	NRV WASHER SMALL (PTFE).
12	P12	NRV BALL PTFE (6MM)[SUCTION VALVE].
13	P13	NRV BALL CAP
14	P14	NRV WASHER BIG (PTFE).
15	P15	NRV BODY.
16	P16	SUCTION FILTER TUBING .
17	P17	TUBING CAP.
18	P18	TUBING CONNECTOR.
19	P19	INJECTION VALVE ADAPTOR.
20	P20	KNOB STICK
21	P21	SUCTION VALVE.
22	P22	DISCHARGE VALVE.
23	P23	INJECTION VALVE ASSEMBLY.
24	P24	SUCTION FILTER ASSEMBLY.
25	P25	TOP CAP
26	P26	FOUR RIB ADAPTER
27	P27	SOLENOID HOUSING PLATE.
28	P28	KNOB
29	P29	NRV BALL 8 MM(INJ.VALVE).
30	P30	NRV NOZZLE.
31	P31	PLUNGER WASHER PTFE.
31	R1	BOLT HEAD CAP.
32	R2	FILTER TOP CAP WASHER (14X19X2).
33	R3	DIAPHRAGM "O" RING (Ø42X2).
34	R4	PLUNGER WASHER.
35	R5	SOLENOID SPACER "O" RING.(Ø 15.6 X 1.78).
36	R6	P.C.B HOUSING WASHER (90 X 90 X 2.5).
37	R7	NRV BODY "O"RING(9.8X2.2).
38	R8	BALL SEAL.
39	R9	BIG STEP WASHER (18X8.5).
40	R10	SOLENOID HOUSING ORING (Ø 40 X 2).
41	R11	SOLENOID HOUSING PLATE GROMET.
42	R12	BEADING.
43	R13	KNOB STICK WASHER.
44	E1	P.C.B.
45	E2	POWER CORD.
46	E3	TWO WAY CONNECTOR
47	M1	M4 X 45 BOLT (S.S. 316)
48	M2	SMALL WASHER (5.2 X 15 X 2).
49	M3	SS PLUNGER.
50	M4	8 X3 SOLENOID BOLT COMBI.S.S.
51	M5	SOLENOID ASSEMBLY.
52	M6	SOLENOID SPACER.
53	M7	SPRING S.S.
54	M8	BIG WASHER (8.5 X 18 X 2).
55	M9	8MM NUT (S.S).
56	M10	10X 13 M.S S.TAP. SCREW.
57	M11	M6 X 20 BOLT. S.S.
58	M12	M6 WASHER. S.S.
59	M13	S.S INJECTION VALVE SPRING.
60	M14	M6 NUT.
61	M15	PCB M.S S.TAP. SCREW 4 X 6.5
62	M16	STAR WASHER (M4)

OPERATION & MAINTENANCE MANUAL



FEATURES

- Wetted parts suitable for most aggressive chemicals.
- Air bleed arrangement built into pump head.
- PTFE double ball NRV's ensures long life.
- Wide operating voltage range viz. 180-280 V. Automatic voltage compensation to ensure dosing consistency.
- Level switch inter-lock facility available.
- IP 65 Certified .
- Electrical Class 2 .
- CE Certified .

SCOPE OF SUPPLY

- Metering pump.
- 3 meter suction & discharge tubing.
- Suction filter cum foot valve.
- Injection / Back pressure assembly.
- O & M manual.



SPECIFICATIONS

E Dose is an electronic metering pump using a solenoid, controlled by an internal circuit to drive a reciprocating diaphragm.

Electrical	: 230 Volts AC (±20%) 50HZ.
Suction Tubing	: 4/6 mm.
Discharge Tubing	: 4/6 mm.
Dosing Rate	: 1.5/3/6/10/at 4 Kg/cm ² .
Strokes / Minute	: ≤ 400.
Noise	: ≤ 50dB.

OPTIONAL

Level switch interlock : Normally open.

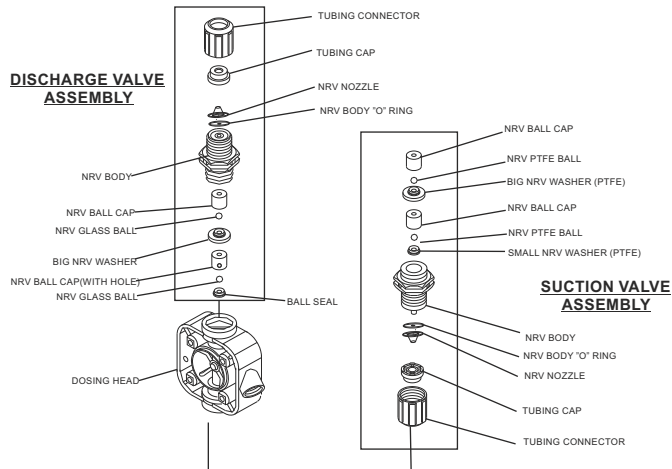
MATERIAL OF CONSTRUCTION FOR WETTED PARTS:

Pump Head	: Glass filled PP.
Diaphragm	: PTFE.
Connectors	: Glass filled PP.
Suction tubing	: PE.
Discharge tubing	: PE.
Ball Seal	: VITON

INTERPRETATION OF LED's:

- STATUS LED OFF &  LED OFF : Mains supply 230V AC is OFF.
- STATUS LED OFF &  LED ON (Steady) : Mains supply 230V AC is ON but switch is OFF.
- STATUS LED ON &  LED ON (Blinking) : Pump is working.
- STATUS LED ON &  LED ON (Steady) : Fault in Pump.

DOSING HEAD EXPLODED VIEW



INSTALLATION

- Install the pump in a dry environment and mount it on a tank/surface using the mounting brackets and nut-bolts provided.
- Place the pump above the liquid to be dosed within a maximum limit of 1.5 meter suction lift.
- The discharge point (marked with arrow) should always be facing upward. The suction nipple will be on the lower side with the suction tubing being immersed completely in solution.
- Cut the suction tubing to the desired length and attach suction filter to it. Ensure that suction filter is placed vertical and always immersed completely in solution.
- Use the remaining tubing on the discharge side and connect the back pressure/injection valve to the injection pipe into which dosing is to be done. Connect nozzle on pump to the injection valves.
- Plug the pump into a 230 Volts AC electrical outlet.

STARTING THE PUMP.

While starting always first adjust the frequency knob to 100%. Switch on the pump by switching on the switch. Make sure that all the air is primed out of the system by opening the bleed valve until a continuous stream of liquid flows out. Close bleed valve.

PRECAUTION



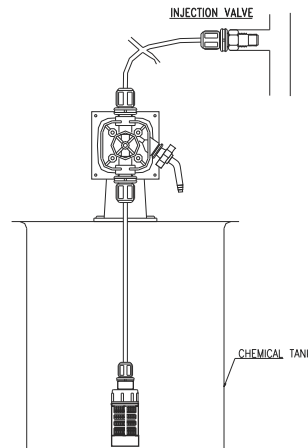
A) Electrical

- Ensure voltage is within range specified for the pump ie.180- 280 Volts.
- Electrical connection should be made between "Live-Neutral" & Not Live- Ground".
- Avoid giving supply to dose from the same line as heavy electrical equipment.

B) General

CAUTION

- Install pump in a shaded place AWAY from direct sunlight.
- Pump is resistant to dust and water but cannot be used in a sub-merged condition.
- Do not dispose off the pump or its parts into the environment.
- Before performing any maintenance on the pump, release internal pressure by operating bleed valve and disconnect power supply.
- Please confirm compatibility of wetted parts with chemical being dosed.
- Clamp the mounting bracket adequately so that vibrations do not loosen the mounting.



E DOSE IS AN ELECTRONIC METERING PUMP WITH A SOLENOID CONTROLLED BY AN INTERNAL CIRCUIT TO DRIVE A DIAPHRAGM

